

# iCREASE MULTI

*ifinish*®



**Long Tray  
(option)**

***Only DUMOR can do-it !***

Huvudkontor  
SIGRAPHIC KB  
Arenavägen 29  
121 77 Globen/Johanneshov

Besöksadress  
Storgatan 79  
362 30 Tingsryd

Telefon  
+46 (0) 477 100 04  
Hemsida  
[www.sigraphic.se](http://www.sigraphic.se)

E-post  
[marknad@sigraphic.se](mailto:marknad@sigraphic.se)



## KEY FEATURES

- Infeed width to 330x450mm long (option to 650mm)
- 1 sec process time on A4 sheet with 1 crease S.E.F
- Processes card from 90gsm equivalent to 350gsm equivalent
- 12 programmable lines with min. 1mm spacing and 1.2mm crease line
- Digital colour TFT display with all data visible in one glance
- Process diagram is shown on the screen (what you see is what you get)
- Outfeed tray with magnetic guides and stops
- Position accuracy to 0.2mm
- Amazing small footprint: base only 600x600mm; plus 500mm for outfeed tray

## OPTIONS

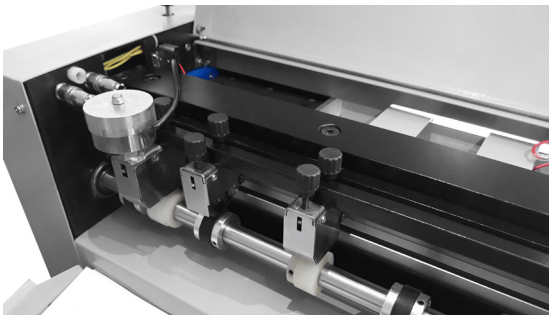
- Cross perfing bar 24 tpi to approx 180gsm card
- Linear perfing tools set to approx 240gsm card (up to 4 fittable with 24 mm line spacing)

## VARIANTS

- Linear perfing 24tpi or 12tpi
- Linear full slitting
- Linear scoring 1.2mm line

## TRAYS

- SRA3 long infeed tray extension
- 650mm ultra long tray extension



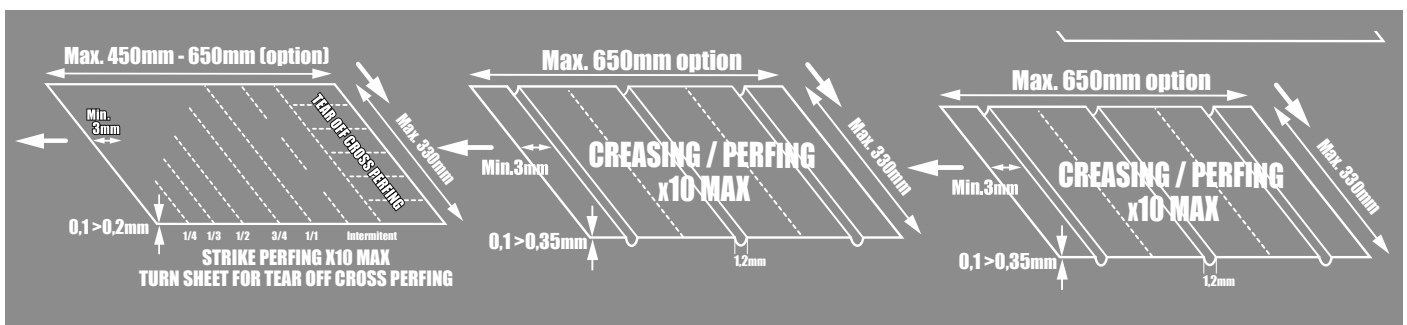
### LINEAR TOOLS (option)

- #DM0102PW12 PERF WHEEL SET
- #DM0102PW24 PERF WHEEL SET
- #DM0102SLSLIT WHEEL SET
- #DM0102STSCORE WHEEL SET



### CROSS PERF BAR (option)

- #DM0120PB CROSS PERF BAR 24TPI



Huvudkontor  
SIGGRAPHIC KB  
Arenavägen 29  
121 77 Globen/Johanneshov

Besöksadress  
Storgatan 79  
362 30 Tingsryd

Telefon  
+46 (0) 477 100 04  
Hemsida  
www.siggraphic.se

E-post  
marknad@siggraphic.se